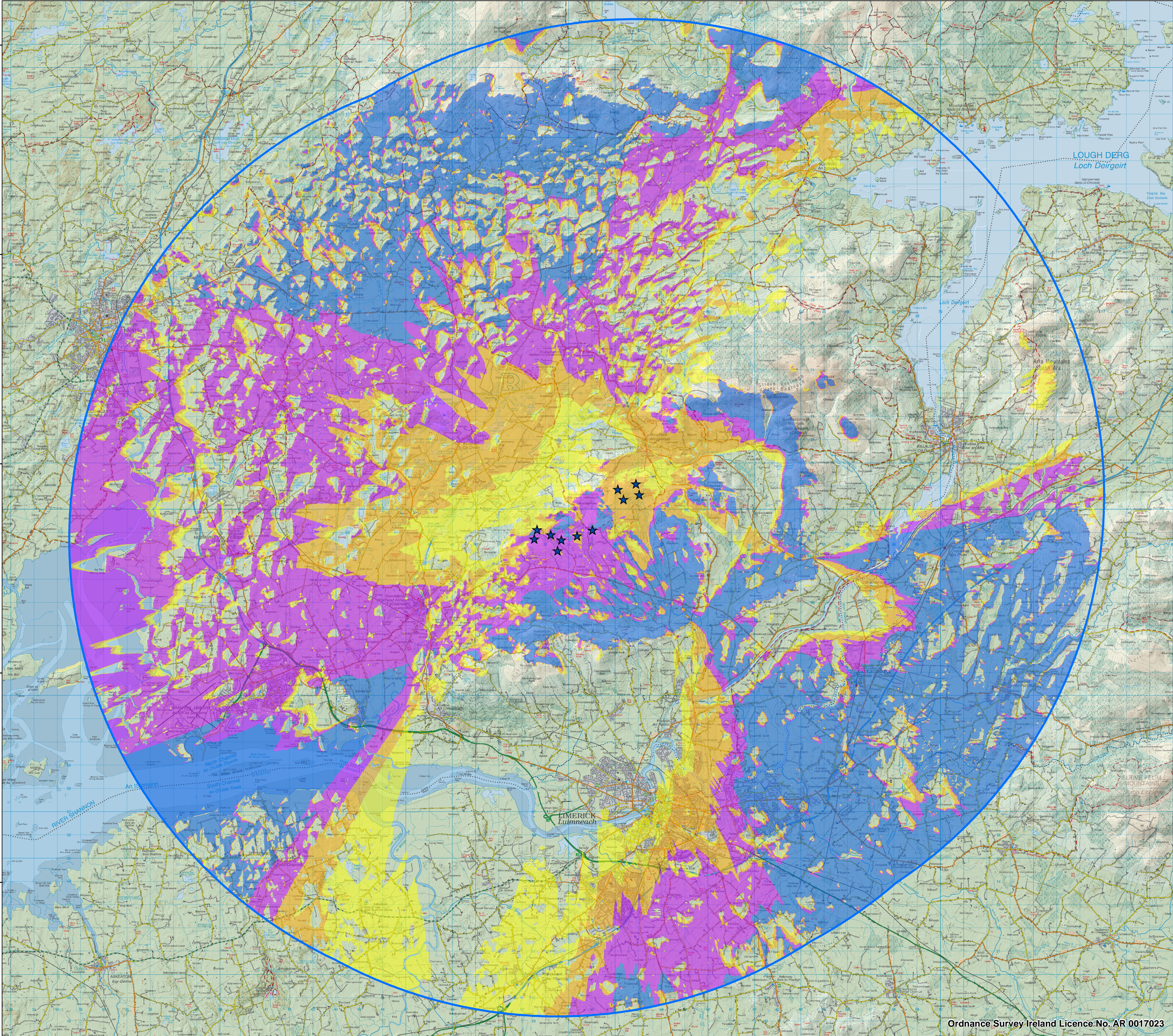


ZTV (Zone of Theoretical Visibility) indicating the areas that have a potential view of the proposed turbines at Oatfield Wind Farm (Hub Height 105m)



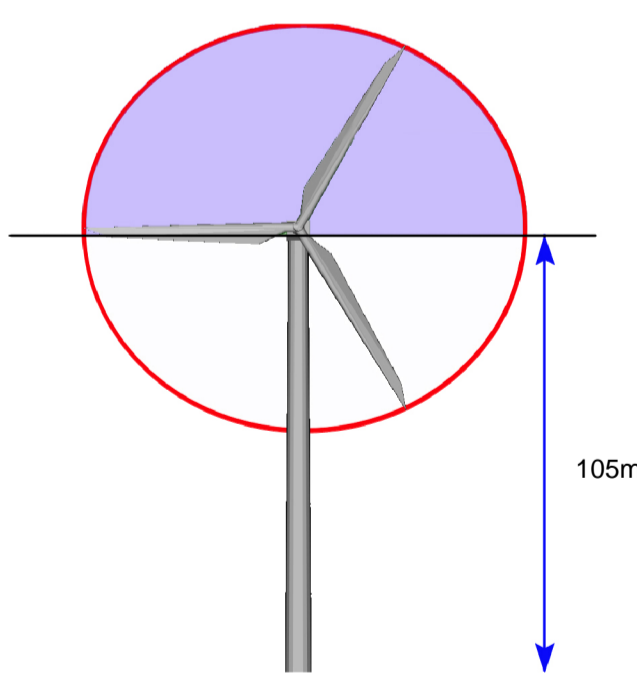
Proposed Turbines



No. Turbines Visible



20km Extent



This ZTV map is based on the potential to see any part of the proposed turbine/s from the hub to base in a theoretical bare-ground scenario i.e. without accounting for screening by vegetation and/or buildings.

Observer Height assumed: 1.7m to eye-level height
Hub Height: 105m

